

## Planning the Walltherm® installation

### The first water-bearing wood gasification stove/boiler



Planning documents Walltherm®

Chimney requirements page 2

Clearances page 3

Dimensions model Königspitze page 4

Dimensions top and bottom Königspitze and Wilder Kaiser page 5

Dimensions Wilder Kaiser page 6

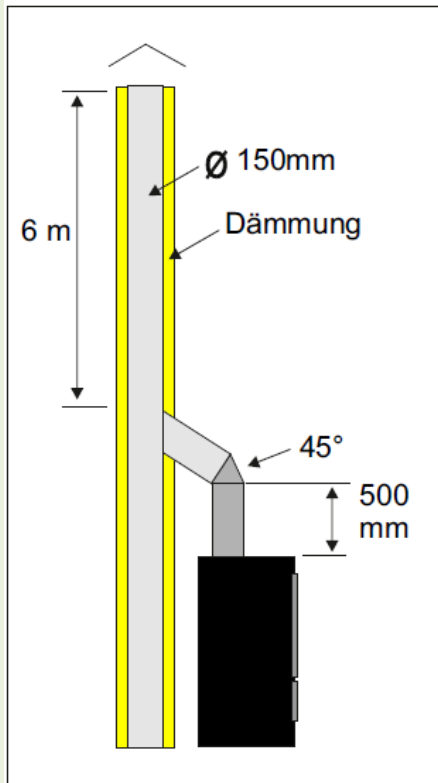
Covering model Wilder Kaiser page 7

External air supply from the bottom page 8

External air supply from the back page 9

Template for installation page 10

Recommended chimney situation for the Walltherm®



- a) 6 m/20 ft usable length
- b) 150-180 mm/6-7" diameter
- c) Minimum 20 mm/1" insulation
- d) No 90° elbows

Material: stainless steel or ceramic

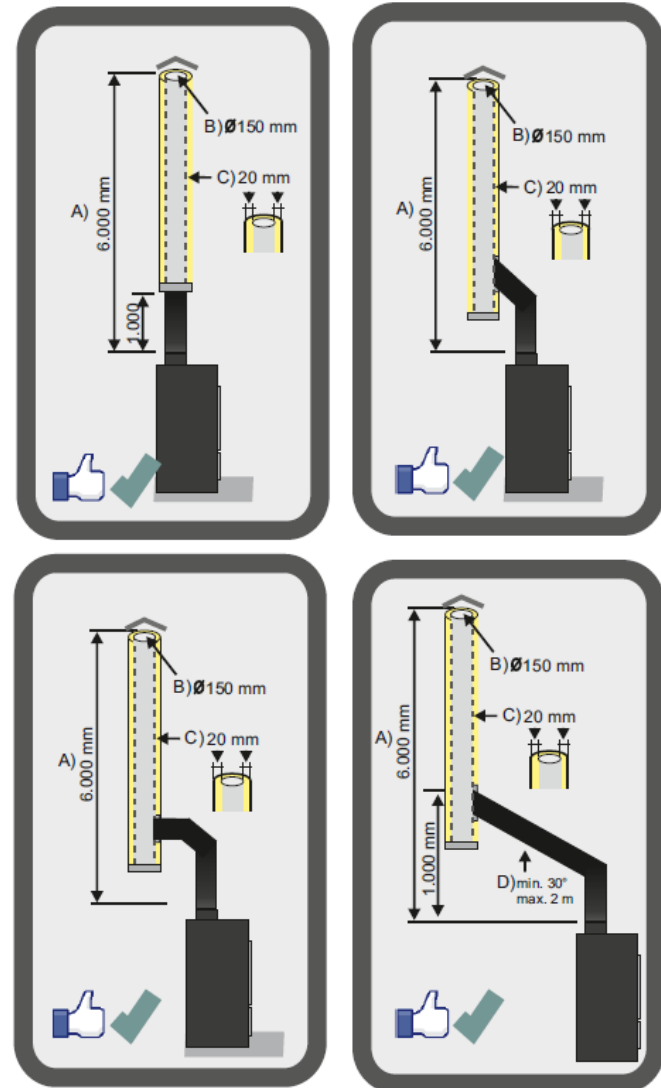


Horizontal parts reduce the draft and are not recommended

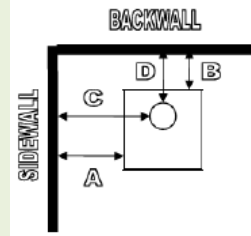


Due to the low temperatures no external air supply through separate chimney pipes from the roof

**The design of the whole flue system needs to meet local building codes**



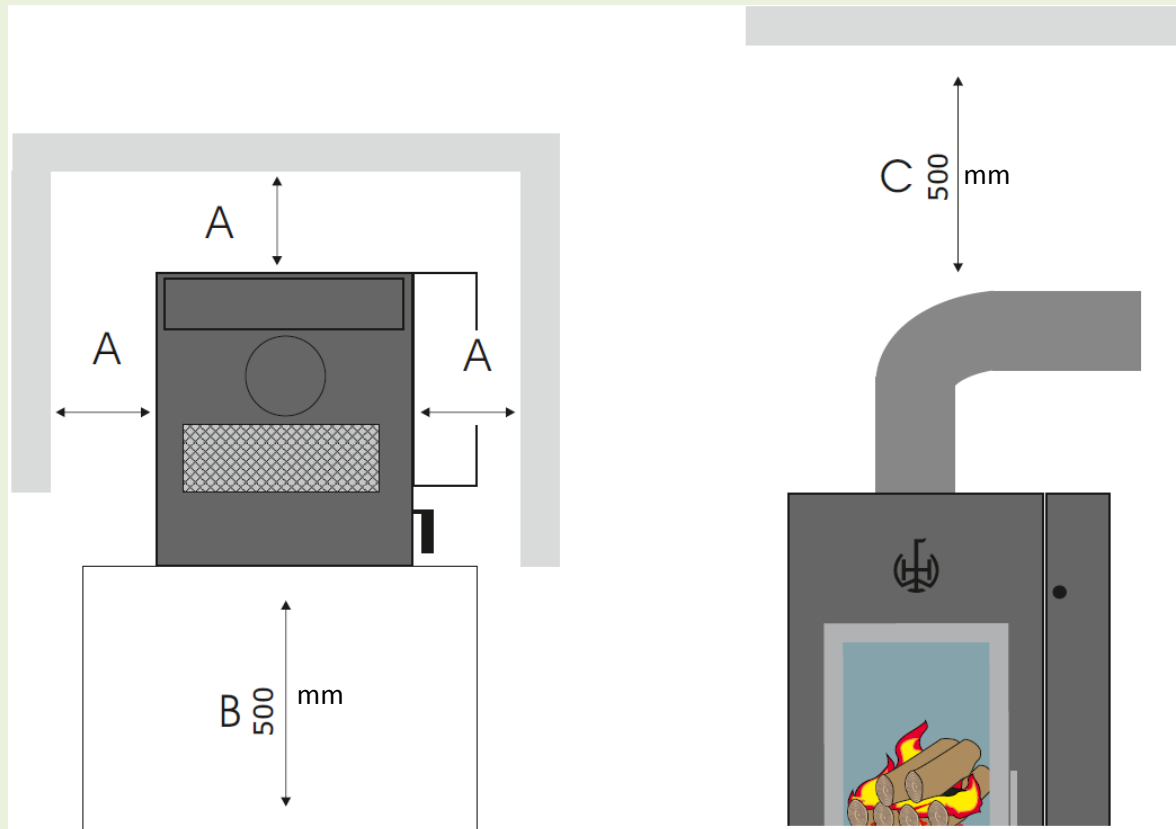
Clearances Walltherm®



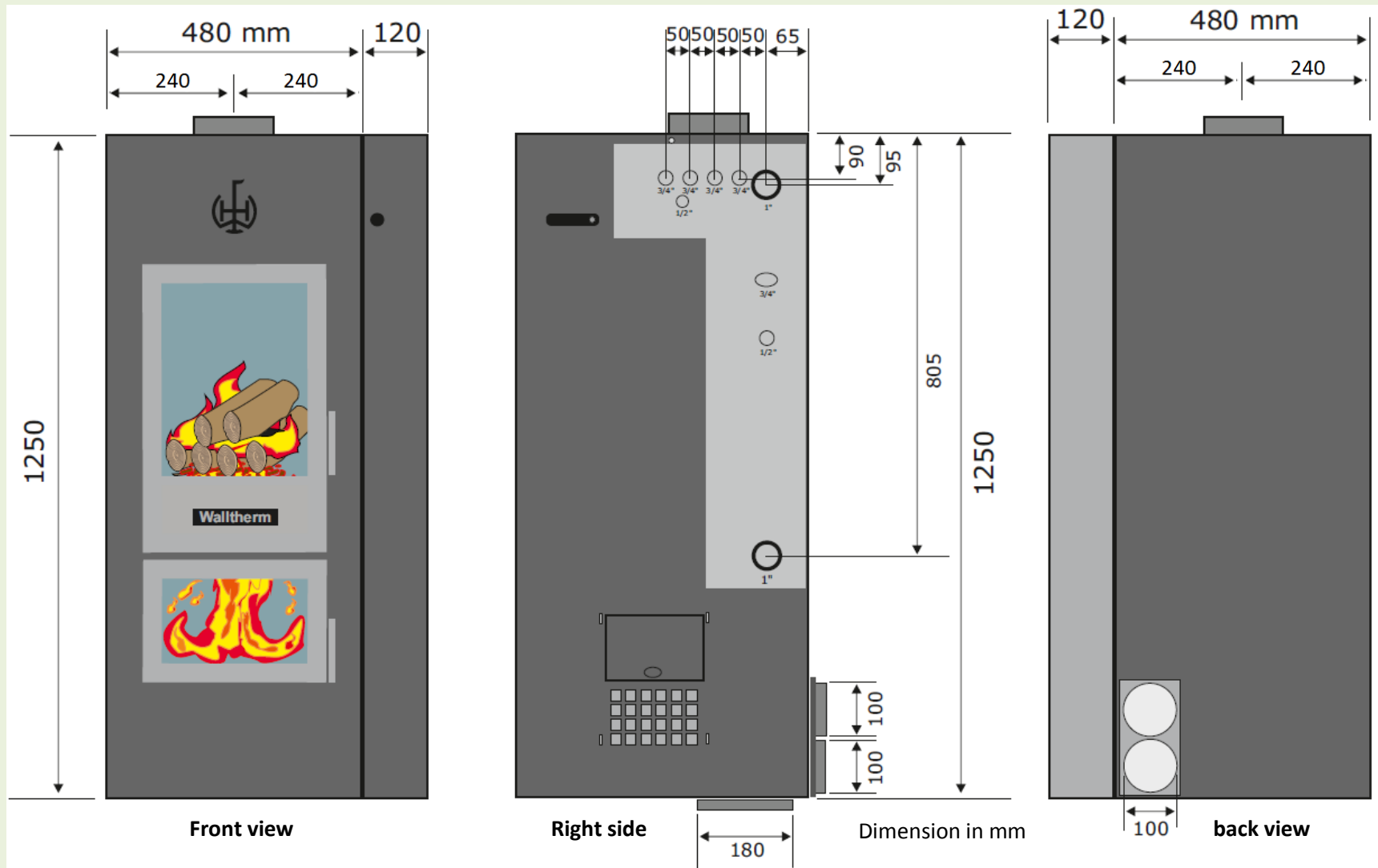
Standard residential installation with single wall connector

- A. Sidewall to appliance 10.0" (254 mm)
- B. Backwall to appliance 10.0" (254 mm)
- C. Sidewall to connector 17.0" (432 mm)
- D. Backwall to connector 13.5" (330 mm)

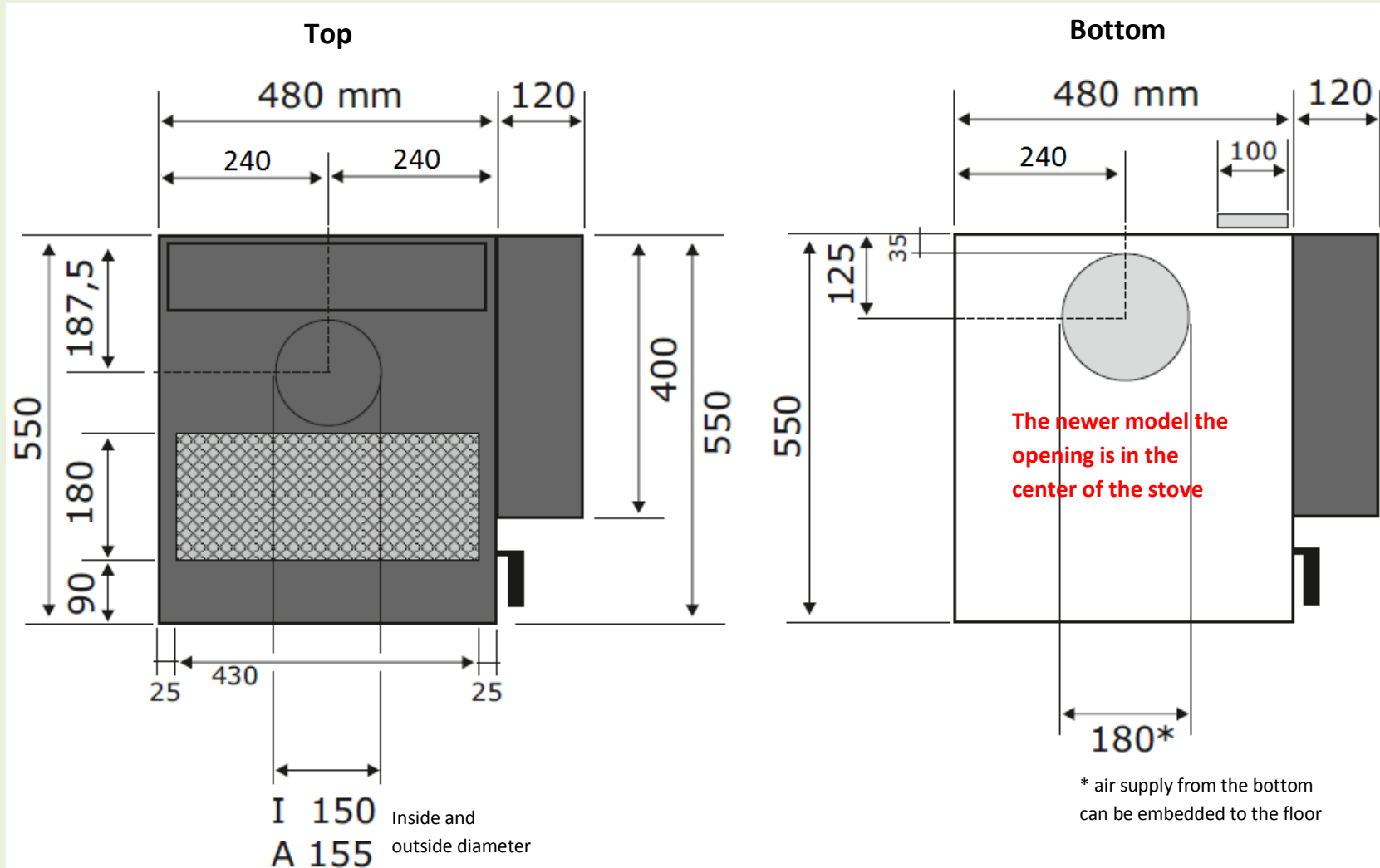
*The design needs to meet local building code*



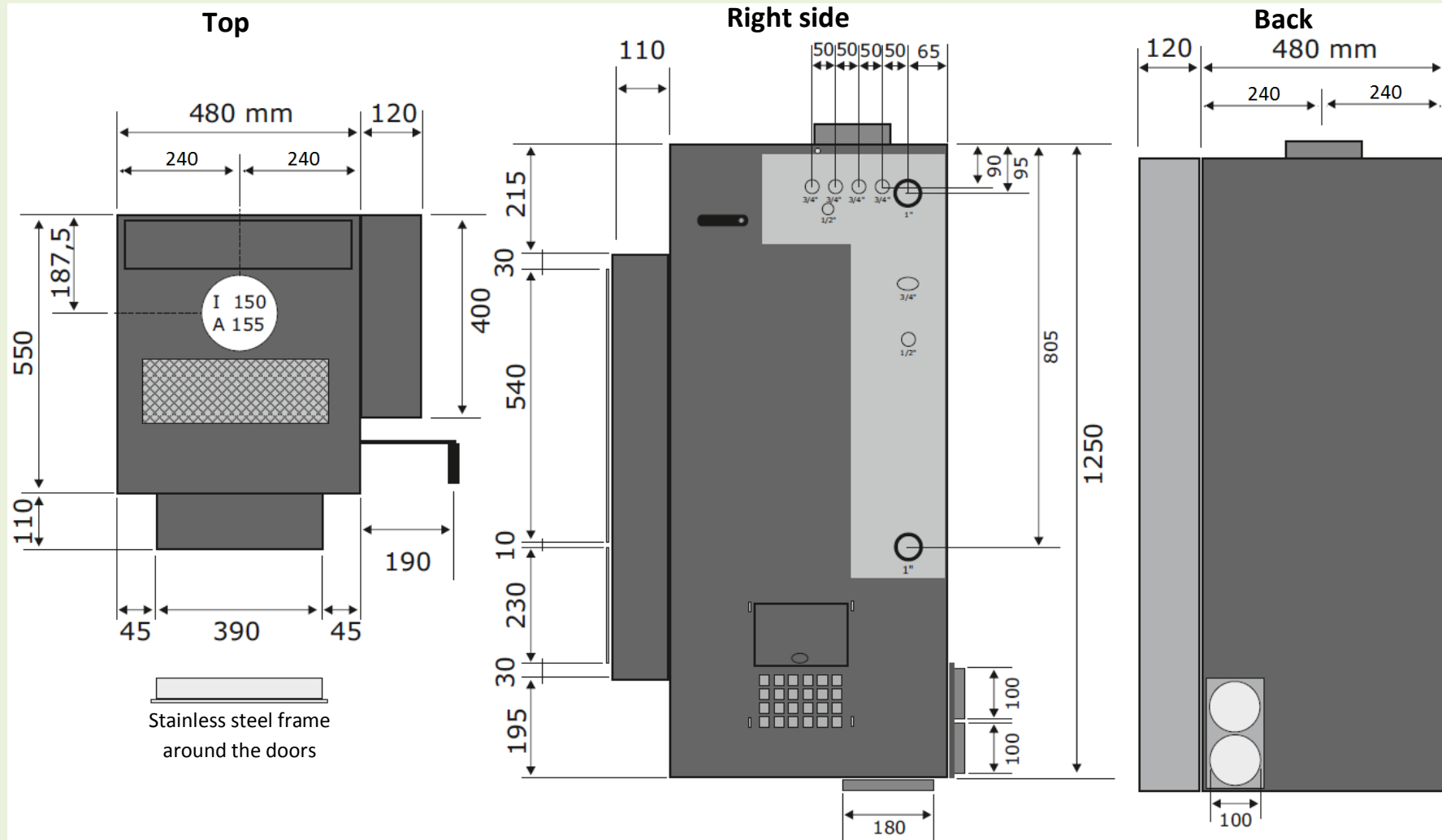
Dimension and connections Walltherm® model Königspitze



Dimension top and bottom Walltherm® model Königspitze and Wilder Kaiser



Dimension and connections Walltherm® model Wilder Kaiser



## Information about covering the model Wilder Kaiser

### Conditions:

Before covering the stove it has to be totally installed

A Wett Certification should have been done

Proof the function of the stove

Burn the stove 3-4 times before covering it.

The cover material has to be heat-resistant and fire-proof

Have a look at the weight !

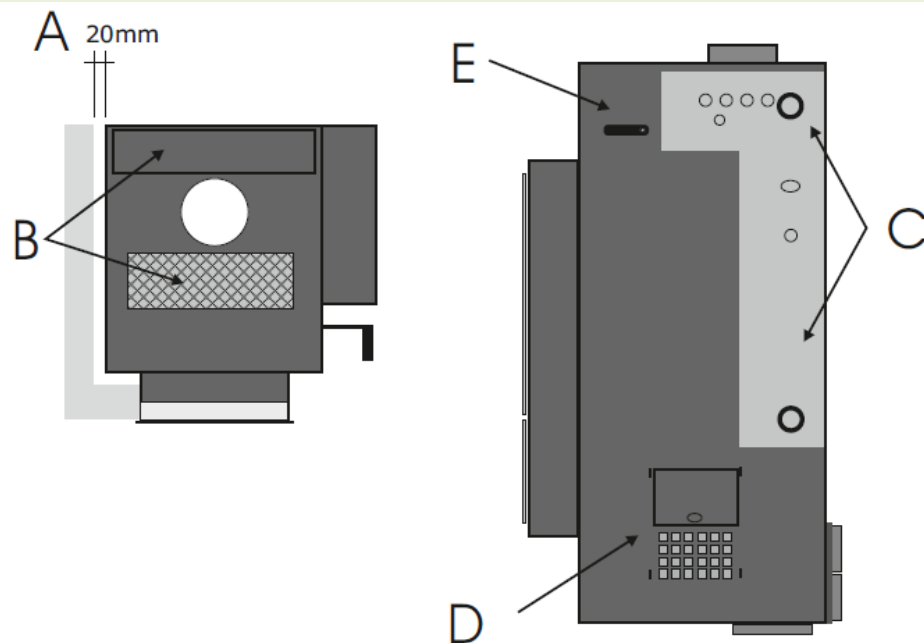
The stove weight is 300 kg/660 lbs  
plus the cover material.

Have a look the floor is strong enough for the weight.

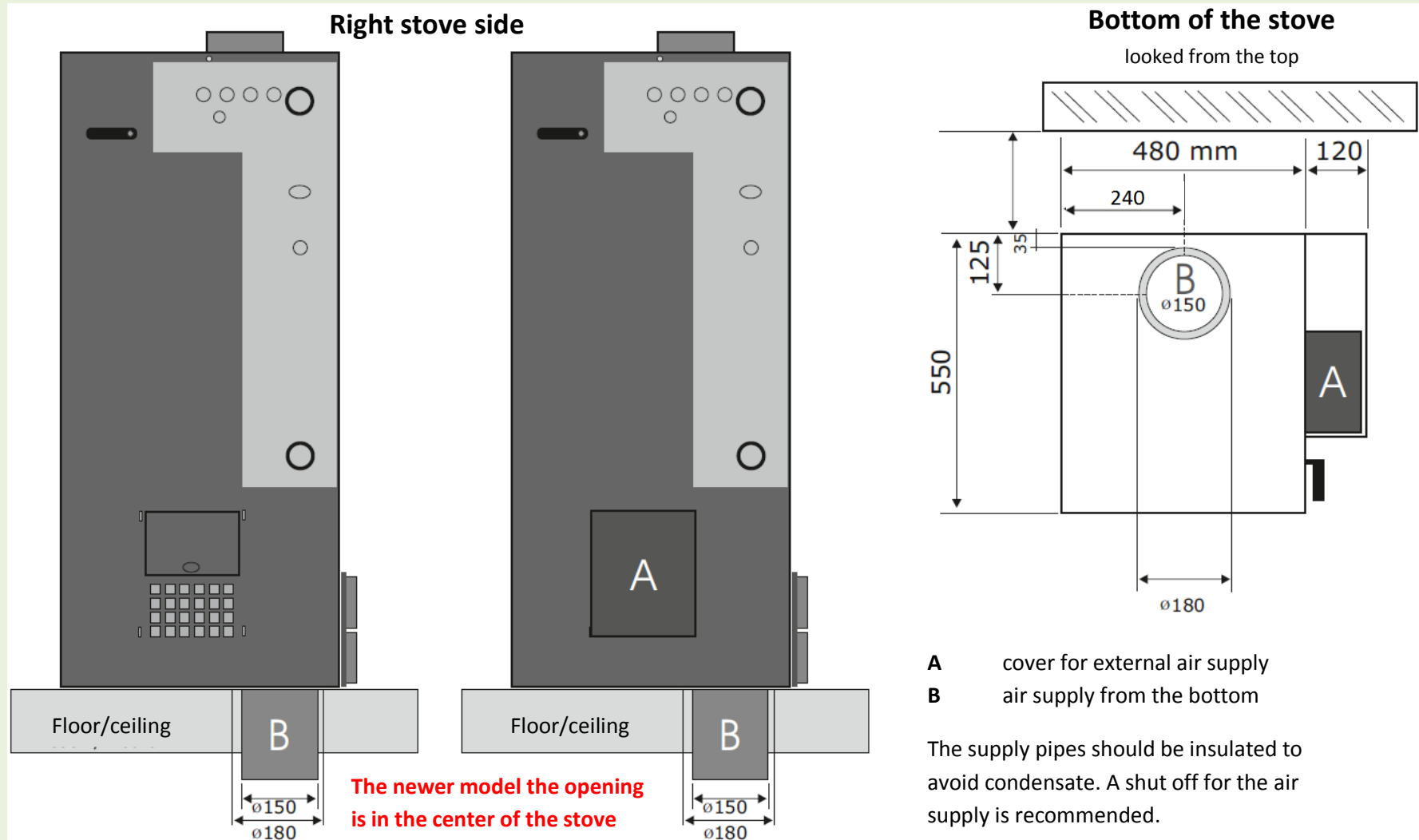
- A) The distance between cover material and stove must be minimum 20 mm / 0,8 "
- B) The flap on the top of the stove for cleaning the heat exchanger must be accessible
- C) All safety functions and pipes on the right side must be accessible
- D) The air supply at the right side must be accessible
- E) The handle for the heating flap must be accessible

Covering the top of the stove there must be slits so heat cannot dam up.

Construction needs to meet local building codes.

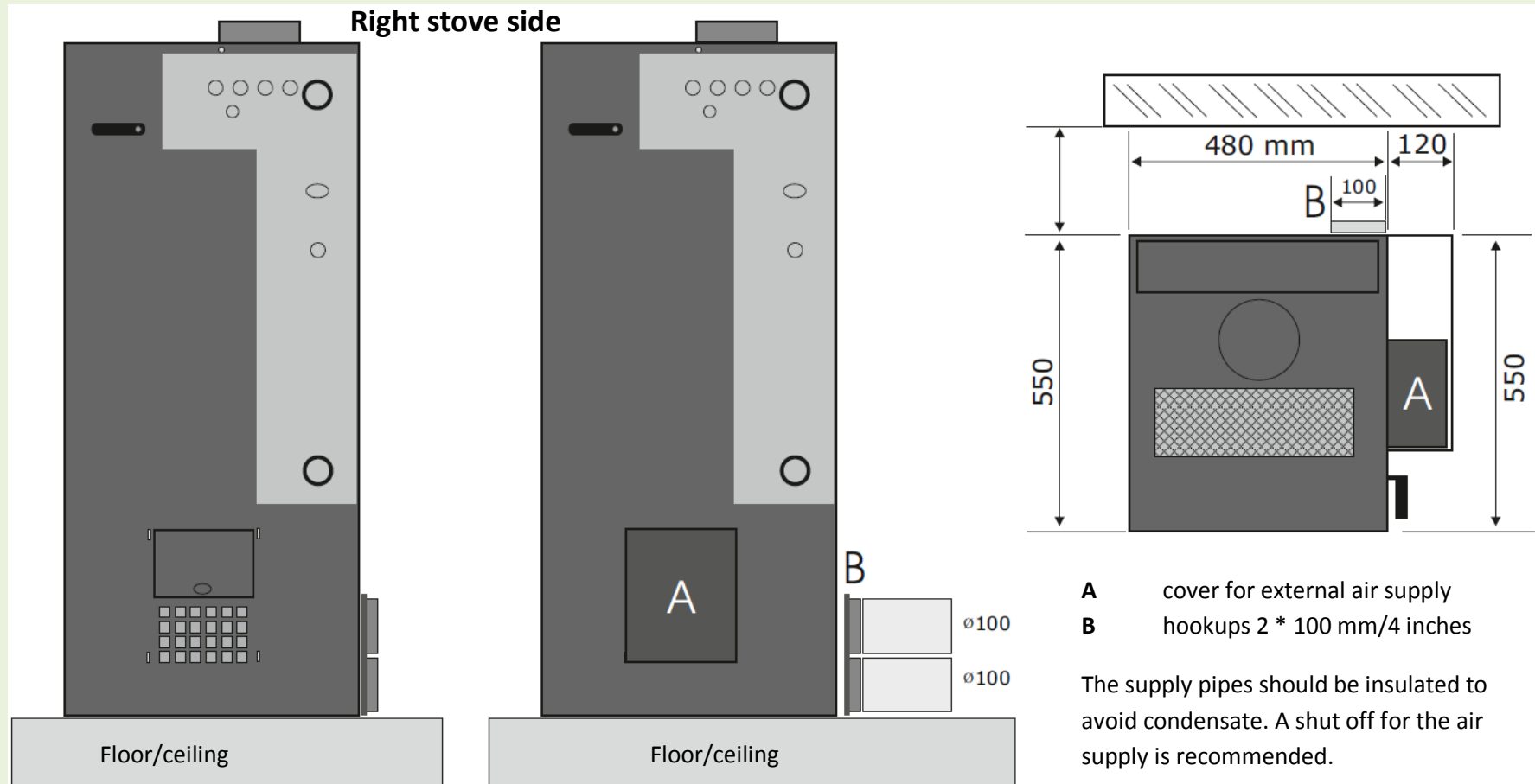


External air supply from the bottom (150 mm/6 inches)

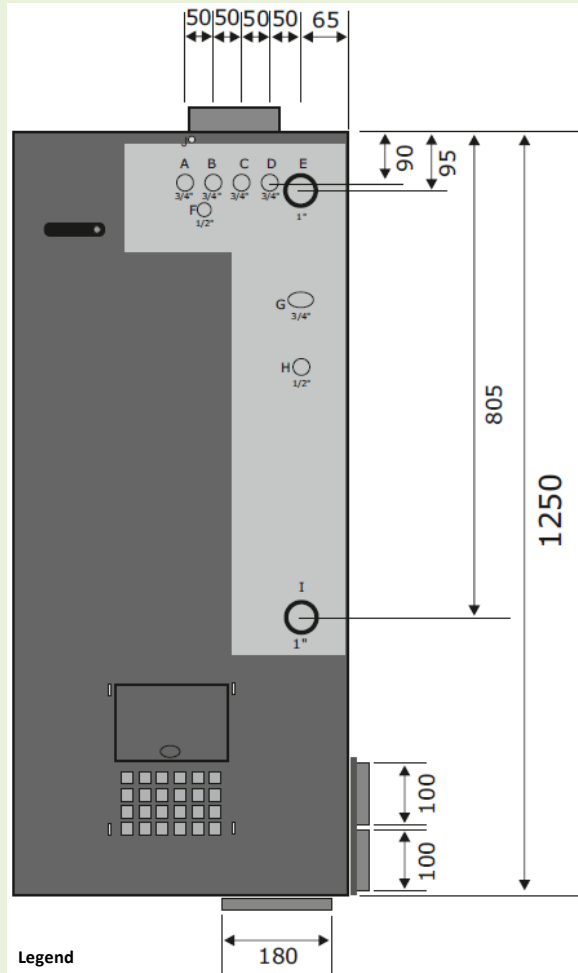




External air supply from the back (2 \* 100 mm/4 inches)

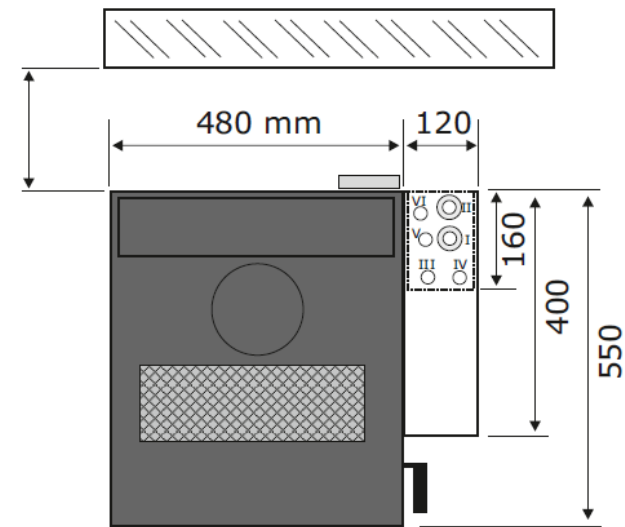
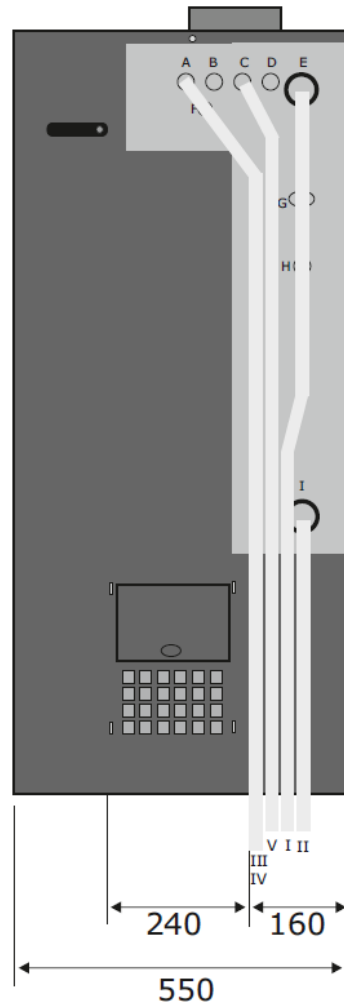


Template for installation of the Walltherm®



Legend

- A cooling element
- B probe for cooling element
- C pressure safety valve
- D Thermostat
- E supply pipe
- F temperature gauge
- G thermostat air supply
- H pressure gauge
- I return pipe
- J probe for smoke gas



Legend

- I supply 1" or ¾"
- II return 1" or ¾"
- III water supply ½" or ¾"
- IV cooling element to drain ¾"
- V safety valve to drain ¾"
- VI pipe for cable